

Metropol
Single lever basin mixer for concealed installation wall-mounted with lever handle and spout
16,5 cm
 Surfaces: **Chrome** Article Number: **32525000**



Description

product features

- consists of: single lever basin mixer for concealed installation wall-mounted, waste set
- projection: 165 mm
- spray type: normal spray
- maximum flow rate at 3 bar: 5 l/min
- ceramic cartridge
- temperature limitation adjustable
- suitable for continuous flow water heaters
- non-closing waste set
- material waste set: metal
- connection type: basic set
- connection dimension: DN15
- handle can be positioned on the right or left, depends on the basic set installation

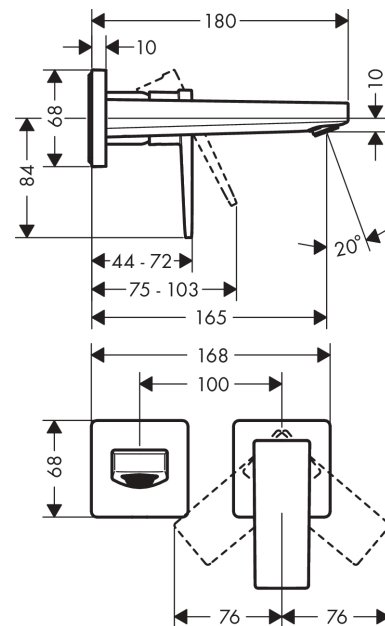
Technology



Product image



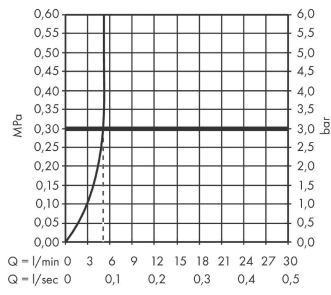
Scale drawing



Metropol
Single lever basin mixer for concealed installation wall-mounted with lever handle and spout
16,5 cm
 Surfaces: **Chrome** Article Number: **32525000**



Flowchart



Metropol

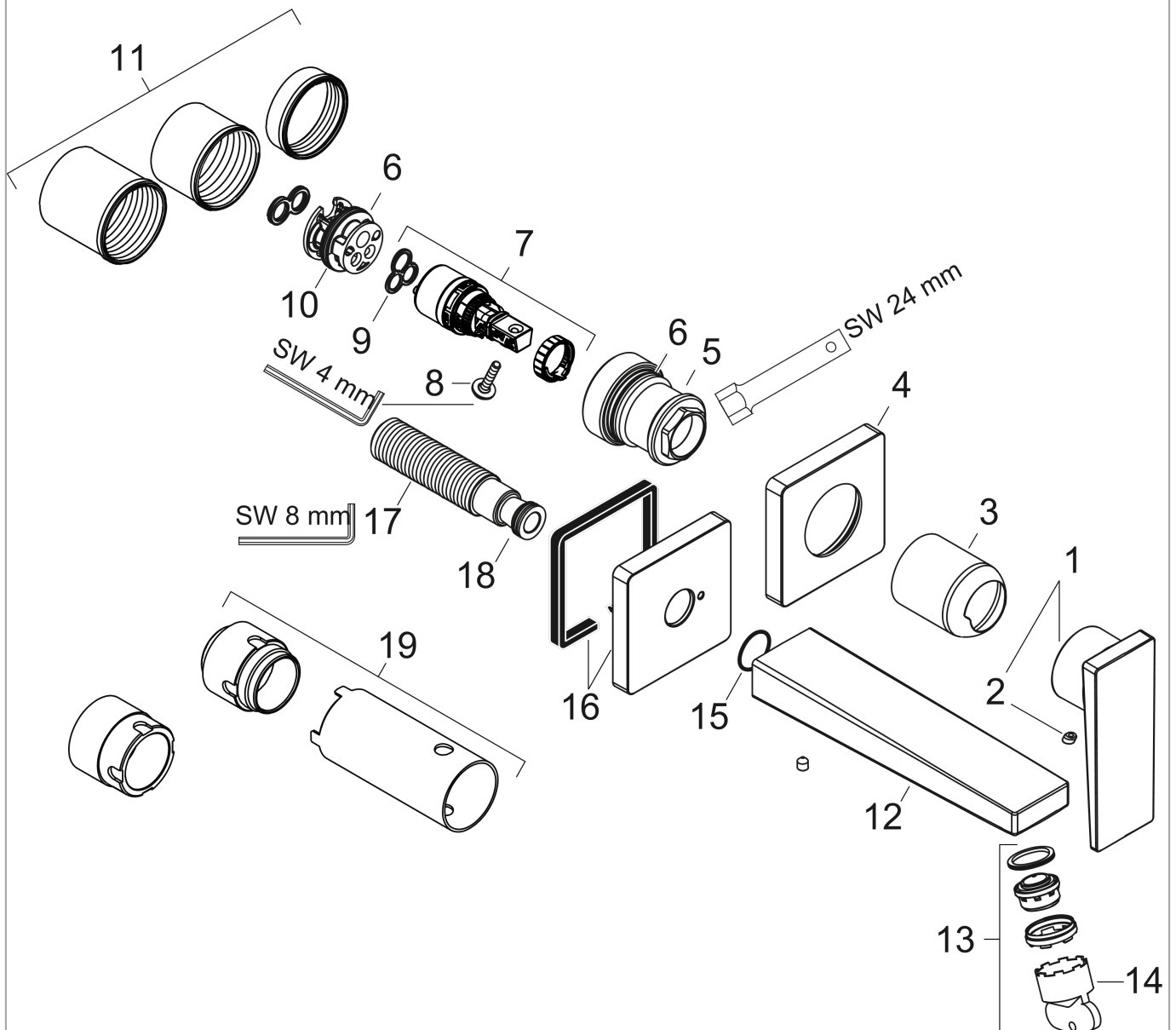
Single lever basin mixer for concealed installation wall-mounted with lever handle and spout
16,5 cm

Surfaces: **Chrome** Article Number: **32525000**



Exploded Drawing

Year of production: >04/17



Metropol
Single lever basin mixer for concealed installation wall-mounted with lever handle and spout
16,5 cm
Surfaces: **Chrome** Article Number: **32525000**



Spare part list

Year of production: >04/17

Pos.	Description	Article Number	Price	PU
1	handle	93163000	-	1
2	screw cover	96338000	-	1
3	sleeve	93053000	-	1
4	escutcheon for handle	93161000	-	1
5	nut	93141000	-	1
6	O-ring 26x2	98147000	-	1
7	cartridge, assy	97685000	-	1
8	locking screw for handle	95140000	-	1
9	seal	98865000	-	1
10	adapter for cartridge	95634000	-	1
11	fixing set	97971000	-	1
12	spout 165 mm	93165000	-	1
13	aerator M24x1 (5 l/min)	92996000	-	1
14	service tool	95661000	-	1
15	O-ring 18x1,5	98231000	-	1
16	escutcheon for spout	93162000	-	1
17	connecting thread G½	95626000	-	1
18	O-ring 13x2	98128000	-	1
19	extension set 25 mm for 13622180	31971000	-	1
a	base body	13622180	-	1
b	waste	50001000	-	1
c	adapter for exchanged connections	93819000	-	1